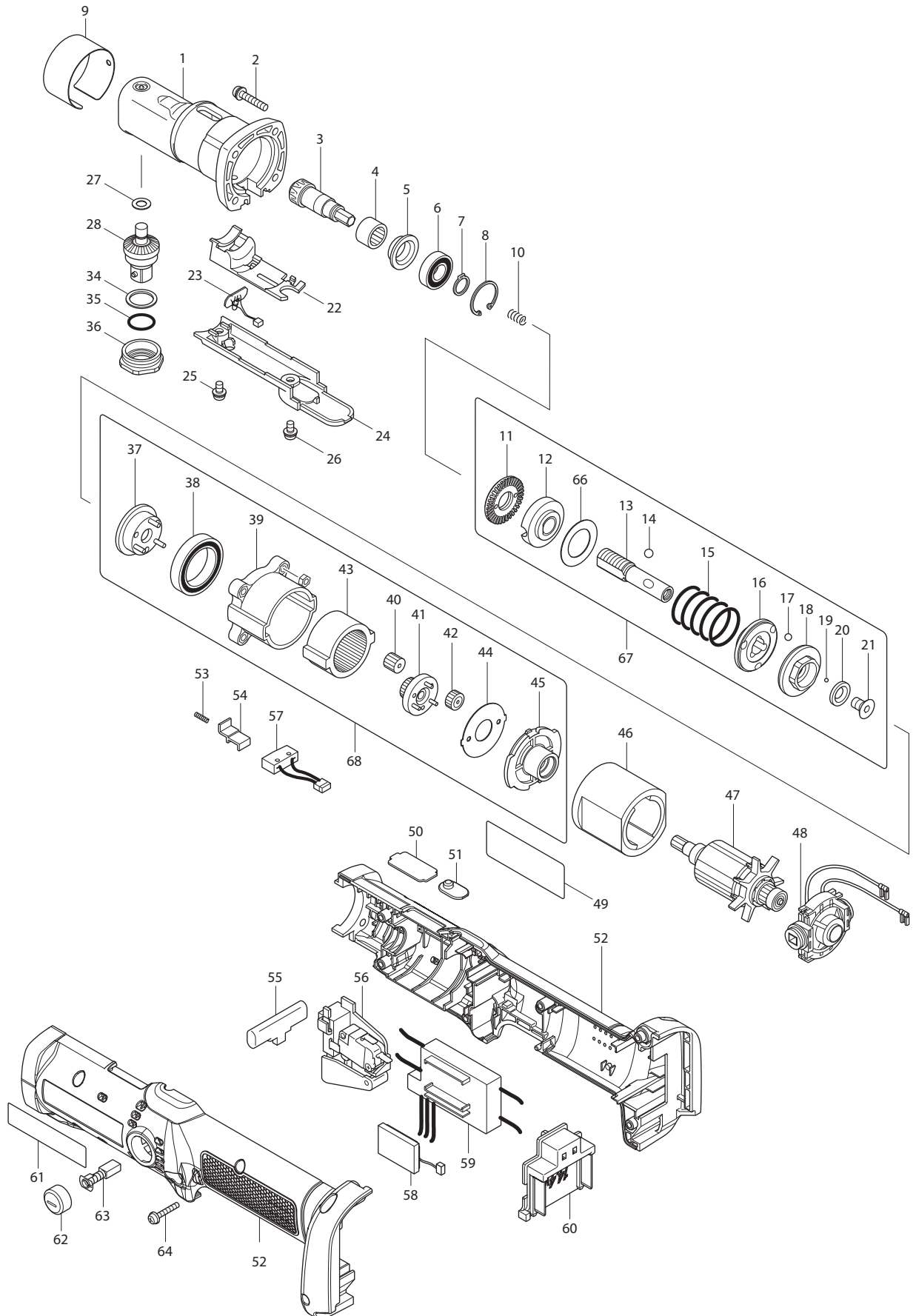




05 - 2012
BFL082FZ
14.4V ANGLE WRENCH



Item No.	Type	Sub	Part No.	Description	Qty	Unit
1	1		154494-2	* ANGLE HEAD COMPLETE	1	PC.
	2		144082-3	* ANGLE HEAD COMPLETE	1	PC.
2			265145-3	+ PAN HEAD SCREW M4X22	4	PC.
3			227469-5	SPIRAL BEVEL GEAR 9	1	PC.
4			212123-4	NEEDLE BEARING 1210	1	PC.
5			345281-2	SPACER	1	PC.
6			210057-5	BALL BEARING 6900LLB	1	PC.
7			961026-6	RETAINING RING S-10	1	PC.
8			962112-6	RETAINING RING R-22	1	PC.
9			345442-4	RING 38J	1	PC.
10			233019-6	COMPRESSION SPRING 5	1	PC.
11			324834-0	LOCK NUT M12	1	PC.
12			158408-3	ADJUST RING COMPLETE	1	PC.
13			324296-2	SPINDLE	1	PC.
14			216018-3	STEEL BALL 5.0	3	PC.
15			233358-4	COMPRESSION SPRING 19C	1	PC.
16			223146-7	CAM D	1	PC.
17			216024-8	STEEL BALL 4	3	PC.
18			223143-3	CAM C	1	PC.
19			216019-1	STEEL BALL 3	13	PC.
20			267247-1	FLAT WASHER 7	1	PC.
21			266305-0	TORX C.S HEAD SCREW M5X10	1	PC.
22			418011-5	LIGHT HOLDER	1	PC.
23			631513-6	LED CIRCUIT	1	PC.
24			418005-0	LIGHT COVER	1	PC.
25			265171-2	PAN HEAD SCREW M4X8	1	PC.
26			265171-2	PAN HEAD SCREW M4X8	1	PC.
27			253726-5	FLAT WASHER 6	1	PC.
28			154725-9	SPINDLE A COMPLETE	1	PC.
34			253842-3	FLAT WASHER 14	1	PC.
35			213162-7	O RING 14	1	PC.
36	1		285707-1	* BEARING RETAINER 14-23	1	PC.
	2		285026-5	* BEARING RETAINER 14-23	1	PC.
37			153443-6	CARRIER COMPLETE A	1	PC.
38			211375-4	BALL BEARING 6805LLB	1	PC.
39			418004-2	GEAR CASE	1	PC.
40			227050-2	SPUR GEAR 13	3	PC.
41			153684-4	SPUR GEAR 20 COMPLETE C	1	PC.
42			227104-5	SPUR GEAR 15	3	PC.
43			227048-9	INTERNAL GEAR 47	1	PC.
44			267774-8	LOCK WASHER	1	PC.
45			418003-4	MOTOR BRACKET	1	PC.
46			638183-2	YOKE UNIT	1	PC.
47			619316-8	ARMATURE	1	PC.
48			687138-4	ENDBELL COMPLETE	1	PC.
49			897717-2	NAME PLATE F/BFL082F	1	PC.
50			345282-0	PLATE A, 2 - 8Nm	1	PC.
51			419832-8	LENS	1	PC.
52			187487-4	HOUSING SET	1	SET
		INC.		Item No. 61		
53			233025-1	COMPRESSION SPRING 2	1	PC.
54			418002-6	SWITCH LEVER	1	PC.
55			417511-2	F/R CHANGE LEVER	1	PC.
56			650536-5	SWITCH C3Z-5-01 SINGLE	1	PC.
57			638184-0	SWITCH UNIT	1	PC.
58			631514-4	BUZZER CIRCUIT	1	PC.
59			632A45-2	CONTROLLER UNIT	1	PC.
60			643828-9	TERMINAL	1	PC.
61			819284-7	MAKITA LOGO LABEL	1	PC.
62			643933-2	BRUSH HOLDER CAP	2	PC.
63			195020-8	CARBON BRUSH CB-434 2PC/SET W/ORIGIN	1	SET
64			265095-2	PAN HEAD SCREW M3X20	6	PC.

Item No.	Type	Sub	Part No.	Description	Qty	Unit
66			267276-4	FLAT WASHER 18	1	PC.
67			125395-1	CLUTCH ASS'Y H	1	PC.
		INC.		Item No. 11-21,66		
68			125231-1	GEAR ASS'Y E	1	PC.
		INC.		Item No. 37-45		
C01			845604-9	CARTON F/BLF082FZ, BFL122FZ, BFL202FA	1	PC.
E01			800G78-3	CAUTION LABEL FR/SP	1	PC.

ACCESSORIES

A01			765027-4	TORQUE ADJUST TOOL	1	PC.
A02	1		194038-6	* ANGLE HEAD SET	1	PC.
	1	INC.	154495-0	* ANGLE HEAD COMPLETE	1	PC.
	1	INC.	210057-5	* BALL BEARING 6900LLB	1	PC.
	1	INC.	212123-4	* NEEDLE BEARING 1210	1	PC.
	1	INC.	227469-5	* SPIRAL BEVEL GEAR 9	1	PC.
	1	INC.	345281-2	* SPACER	1	PC.
	1	INC.	961026-6	* RETAINING RING S-10	1	PC.
	1	INC.	962112-6	* RETAINING RING R-22	1	PC.
	1	INC.	418031-9	* ANGLE HEAD COVER	1	PC.
	1	INC.	265127-5	* + PAN HEAD SCREW M4X4	1	PC.
	2		198040-1	* ANGLE HEAD SET	1	PC.
	2	INC.	144084-9	* ANGLE HEAD COMPLETE	1	PC.
	2	INC.	210057-5	* BALL BEARING 6900LLB	1	PC.
	2	INC.	212123-4	* NEEDLE BEARING 1210	1	PC.
	2	INC.	227469-5	* SPIRAL BEVEL GEAR 9	1	PC.
	2	INC.	345281-2	* SPACER	1	PC.
	2	INC.	961026-6	* RETAINING RING S-10	1	PC.
	2	INC.	962112-6	* RETAINING RING R-22	1	PC.
	2	INC.	418031-9	* ANGLE HEAD COVER	1	PC.
	2	INC.	265127-5	* + PAN HEAD SCREW M4X4	1	PC.
A03			418032-7	PROTECTOR(YELLOW)	1	PC.
			418064-4	PROTECTOR(BLUE)	1	PC.
			418065-2	PROTECTOR(RED)	1	PC.
			418066-0	PROTECTOR(CLEAR)	1	PC.
A04			194559-8	14.4V LI-ION BATTERY BL1415	1	PC.
			194066-1	14.4V LI-ION BATTERY BL1430	1	PC.
			194397-8	14.4V LI-ION BATTERY BL1430 2PC/SET	1	SET
A05	1		DC18RA	CHARGER DC18RA	1	PC.
	2		DC18RC	CHARGER DC18RC	1	PC.
			DC18SD	CHARGER DC18SD	1	PC.
			DC24SC	CHARGER DC24SC	1	PC.
			DC18SE	AUTOMOTIVE CHARGER DC18SE	1	PC.
A06			193681-8	REFRESHING ADAPTOR ADP03	1	PC.
A08			195621-2	** ANTI KICK BACK HEAD SET (SPECIAL ORDER ITEM)	1	PC.
A09			453091-4	** PROTECTOR BLUE F/ANTI-KICK BACK HEAD SET	1	PC.
			453092-2	** PROTECTOR RED F/ANTI-KICK BACK HEAD SET	1	PC.
			453093-0	** PROTECTOR YELLOW F/ANTI-KICK BACK HEAD SET	1	PC.
			453094-8	** PROTECTOR CLEAR F/ANTI-KICK BACK HEAD SET	1	PC.

SERVICE CHANGES

1. Changes on Angle Head Complete & Bearing Retainer

(TI#B3611)

Item No.	Description	Type 1	Type 2
1	Angle Head Complete	154494-2	144082-3
36	Bearing Retainer 14-23	285707-1	285026-5

Above parts are completely interchangeable as a set.